



04 *flat backs* NO HOTFIX

Flat Backs No Hotfix (No HF) are loose crystal elements with Platinum Foiling on the back for extra brilliance and protection. Flat Backs No HF are easy to apply to a variety of carrier materials using standard one or two component glues. They are available in a multitude of colours, shapes and cuts. The most important single item in this product group is the XILION Rose – the most brilliant cut on the market.



flat backs NO HOTFIX
COLOURS & EFFECTS

Colours

 Crystal 001	 Purple Velvet 277	 Light Topaz 226	 Sapphire Aurore Boreale 206 AB
 White Opal 234	 Dark Indigo 288	 Jonquil 213	 Peridot Aurore Boreale 214 AB
 Vintage Rose 319	 Cobalt 369	 Silk 391	 Crystal Moonlight 001 MOL
 Light Rose 223	 Montana 207	 Light Peach 362	 Crystal Silver Shade 001 SSHA
 Rose 209	 Capri Blue 243	 Light Colorado Topaz 246	 Crystal Golden Shadow 001 GSHA
 Indian Pink 289	 Sapphire 206	 Topaz 203	 Crystal Copper 001 COP
 Fuchsia 502	 Light Sapphire 211	 Smoked Topaz 220	 Crystal Red Magma 001 REDM
 Ruby 501	 Air Blue Opal 285	 Mocca 286	 Crystal Comet Argent Light 001 CAL
 Padparadscha 542	 Aquamarine 202	 Sand Opal* 287	 Crystal Volcano 001 VOL
 Sun 248	 Pacific Opal 390	 Light Grey Opal 383	 White Opal Sky Blue*** 234 SBL
 Fireopal* 237	 Mint Alabaster*** 397	 Greige 284	 Crystal Bermuda Blue 001 BBL
 Hyacinth 236	 Caribbean Blue Opal 394	 Black Diamond 215	 Crystal Meridian Blue 001 MBL
 Light Siam 227	 Blue Zircon 229	 Jet** 280	 Crystal Metallic Blue 001 METBL
 Indian Siam* 327	 Chrysolite 238		 Crystal Sahara 001 SAH
 Siam 208	 Peridot 214		 Crystal Sage 001 SAG
 Dark Siam* 308	 Fern Green 291		 Crystal Tabac 001 TAB
 Burgundy 515	 Erinite 360		 Crystal Metallic Light Gold 001 MLGLD
 Light Amethyst 212	 Emerald 205		 Crystal Dorado 001 DOR
 Provence Lavender 283	 Palace Green Opal 393		 Jet Nut 280 NUT
 Tanzanite 539	 Olivine 228		 Jet Hematite** 280 HEM
 Cyclamen Opal 398	 Khaki 550		 Crystal Cosmojet* 001 COS
 Amethyst 204	 Citrine 249		

Effects

 Crystal Aurore Boreale 001 AB	 Crystal Tabac 001 TAB
 Jonquil Aurore Boreale 213 AB	 Crystal Metallic Light Gold 001 MLGLD
 Topaz Aurore Boreale 203 AB	 Crystal Dorado 001 DOR
 Light Rose Aurore Boreale 223 AB	 Jet Nut 280 NUT
 Rose Aurore Boreale 209 AB	 Jet Hematite** 280 HEM
 Light Siam Aurore Boreale 227 AB	 Crystal Cosmojet* 001 COS
 Aquamarine Aurore Boreale 202 AB	

Numerical Order

001	Crystal	204	Amethyst	229	Blue Zircon	308	Dark Siam*
001 AB	Crystal Aurore Boreale	205	Emerald	234	White Opal	319	Vintage Rose
001 BBL	Crystal Bermuda Blue	206	Sapphire	<u>234 SBL</u>	<u>White Opal Sky Blue***</u>	327	Indian Siam*
001 CAL	Crystal Comet Argent Light	206 AB	Sapphire Aurore Boreale	236	Hyacinth	360	Erinite
<u>001 COP</u>	<u>Crystal Copper</u>	207	Montana	237	Fireopal*	362	Light Peach
<u>001 COS</u>	<u>Crystal Cosmojet*</u>	208	Siam	238	Chrysolite	369	Cobalt
001 DOR	Crystal Dorado	209	Rose	243	Capri Blue	383	Light Grey Opal
<u>001 GSHA</u>	<u>Crystal Golden Shadow</u>	209 AB	Rose Aurore Boreale	246	Light Colorado Topaz	390	Pacific Opal
<u>001 MBL</u>	<u>Crystal Meridian Blue</u>	211	Light Sapphire	248	Sun	391	Silk
<u>001 METBL</u>	<u>Crystal Metallic Blue</u>	212	Light Amethyst	249	Citrine	393	Palace Green Opal
<u>001 MLGLD</u>	<u>Crystal Metallic Light Gold</u>	213	Jonquil	277	Purple Velvet	394	Caribbean Blue Opal
<u>001 MOL</u>	<u>Crystal Moonlight</u>	213 AB	Jonquil Aurore Boreale	280	Jet**	397	Mint Alabaster***
<u>001 REDM</u>	<u>Crystal Red Magma</u>	214	Peridot	280 HEM	Jet Hematite**	398	Cyclamen Opal
<u>001 SAG</u>	<u>Crystal Sage</u>	214 AB	Peridot Aurore Boreale	280 NUT	Jet Nut	501	Ruby
001 SAH	Crystal Sahara	215	Black Diamond	283	Provence Lavender	502	Fuchsia
<u>001 SSHA</u>	<u>Crystal Silver Shade</u>	220	Smoked Topaz	284	Greige	515	Burgundy
<u>001 TAB</u>	<u>Crystal Tabac</u>	223	Light Rose	285	Air Blue Opal	539	Tanzanite
001 VOL	Crystal Volcano	223 AB	Light Rose Aurore Boreale	286	Mocca	542	Padparadscha
202	Aquamarine	226	Light Topaz	287	Sand Opal*	550	Khaki
202 AB	Aquamarine Aurore Boreale	227	Light Siam	288	Dark Indigo		
203	Topaz	227 AB	Light Siam Aurore Boreale	289	Indian Pink		
203 AB	Topaz Aurore Boreale	228	Olivine	291	Fern Green		

Alphabetical Order

<u>Air Blue Opal (285)</u>	<u>Crystal Metallic Light Gold (001 MLGLD)</u>	<u>Jet Nut (280 NUT)</u>	<u>Provence Lavender (283)</u>
Amethyst (204)	<u>Crystal Moonlight (001 MOL)</u>	Jonquil (213)	Peridot Aurore Boreale (214 AB)
Aquamarine (202)	<u>Crystal Red Magma (001 REDM)</u>	Jonquil Aurore Boreale (213 AB)	<u>Purple Velvet (277)</u>
Aquamarine Aurore Boreale (202 AB)	<u>Crystal Sage (001 SAG)</u>	<u>Khaki (550)</u>	Rose (209)
Black Diamond (215)	Crystal Sahara (001 SAH)	Light Amethyst (212)	Rose Aurore Boreale (209 AB)
Blue Zircon (229)	<u>Crystal Silver Shade (001 SSHA)</u>	Light Colorado Topaz (246)	Ruby (501)
<u>Burgundy (515)</u>	<u>Crystal Tabac (001 TAB)</u>	<u>Light Grey Opal (383)</u>	<u>Sand Opal* (287)</u>
Capri Blue (243)	Crystal Volcano (001 VOL)	<u>Light Peach (362)</u>	Sapphire (206)
<u>Caribbean Blue Opal (394)</u>	<u>Cyclamen Opal (398)</u>	Light Rose (223)	Sapphire Aurore Boreale (206 AB)
Chrysolite (238)	<u>Dark Indigo (288)</u>	Light Rose Aurore Boreale (223 AB)	Siam (208)
Citrine (249)	<u>Dark Siam* (308)</u>	Light Sapphire (211)	<u>Silk (391)</u>
<u>Cobalt (369)</u>	Emerald (205)	Light Siam (227)	Smoked Topaz (220)
Crystal (001)	<u>Erinite (360)</u>	Light Siam Aurore Boreale (227 AB)	Sun (248)
Crystal Aurore Boreale (001 AB)	<u>Fern Green (291)</u>	<u>Light Topaz (226)</u>	Tanzanite (539)
Crystal Bermuda Blue (001 BBL)	<u>Fireopal* (237)</u>	<u>Mint Alabaster*** (397)</u>	Topaz (203)
Crystal Comet Argent Light (001 CAL)	Fuchsia (502)	<u>Mocca (286)</u>	Topaz Aurore Boreale (203 AB)
Crystal Copper (001 COP)	<u>Greige (284)</u>	Montana (207)	<u>Vintage Rose (319)</u>
<u>Crystal Cosmojet* (001 COS)</u>	Hyacinth (236)	Olivine (228)	White Opal (234)
<u>Crystal Dorado (001 DOR)</u>	<u>Indian Pink (289)</u>	<u>Pacific Opal (390)</u>	<u>White Opal Sky Blue*** (234 SBL)</u>
<u>Crystal Golden Shadow (001 GSHA)</u>	<u>Indian Siam* (327)</u>	Padparadscha (542)	
<u>Crystal Meridian Blue (001 MBL)</u>	Jet** (280)	<u>Palace Green Opal (393)</u>	
<u>Crystal Metallic Blue (001 METBL)</u>	Jet Hematite** (280 HEM)	Peridot (214)	

Classic Colours: This colour range offers a wide choice of traditional Swarovski crystal colours.

Exclusive Colours: This colour range is offered exclusively by Swarovski.

Slight changes in shades are unavoidable.

* Only available in limited sizes.

** In these colours Art. 2028 is available as foiled or unfoiled version.

*** White Opal Sky Blue and Mint Alabaster are only available as special production.

Summary

<<<

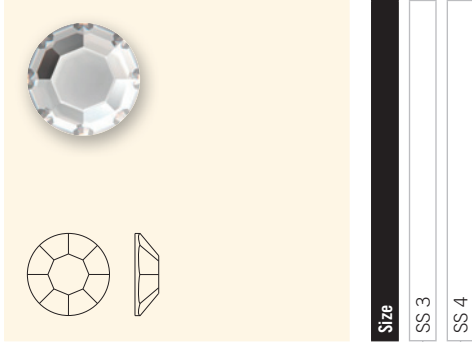
1	2		1	2	
		2000 SS 3, 4			2422 20 mm
		2006 10, 12, 14, 16 mm			2483 10, 25, 40 mm
		2028 SS 5, 6, 7, 8, 9, 10, 12, 14, 16, 20, 30, 34, 40, 48			2484 20 mm
		2035 6, 10, 14, 20, 30, 40 mm			2485 20 mm
		2072 8, 10, 12 mm			2493 8, 10, 12, 20, 30 mm
		2080/4 SS 10, 16, 34			2520 8x6, 10x8, 14x10, 20x14 mm
		2085 40 mm			2555 8x2.6, 12x4, 15x5 mm
		2200 8x4 mm			2570 50x16 mm
		2300 8x4.8, 10x6 mm			2709 10x6, 13x8 mm
		2400 3, 4, 6 mm			2720 7.5, 9, 12.5 mm
		2415 3, 4 mm			2721 10, 25 mm
		2420 10, 25, 40 mm			2770 6x3.5, 12x7, 16x9.5 mm
		2421 20 mm			2797 8x4, 10x5 mm

1 Top View 2 Side View
 • The logo position is marked with a red dot.

Flat Backs No Hotfix

04 Flat Backs No Hotfix

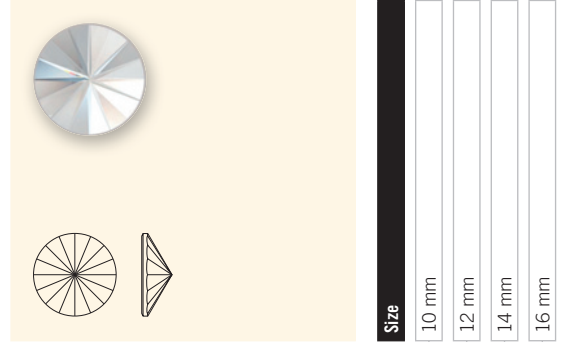
2000 Rose



Colour

Colour	SS 3	SS 4
Crystal F (001)	■	■
Crystal AB F (001 AB)	■	■
Jet (280)	■	
Amethyst F (204)	■	
Aquamarine F (202)	■	
Black Diamond F (215)	■	
Dark Siam F (308)	■	
Indian Siam F (327)	■	
Jonquil F (213)	■	
Light Colorado Topaz F (246)	■	
Light Rose F (223)	■	
Montana F (207)	■	
Peridot F (214)	■	
Smoked Topaz F (220)	■	

2006 Rivoli Flat Back

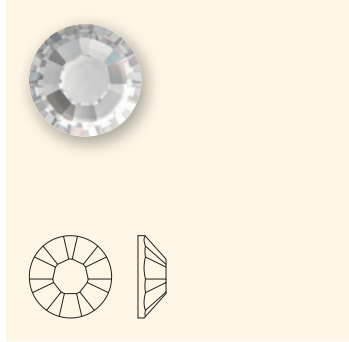


Colour

Colour	10 mm	12 mm	14 mm	16 mm
Crystal F (001)	■	■	■	■

Flat Backs No Hotfix

2028 XILION Rose



Colour	SS 5	SS 6	SS 7	SS 8	SS 9	SS 10	SS 12	SS 14	SS 16	SS 20	SS 30	SS 34	SS 40	SS 48
Crystal F (001)	■	■	■	■	■	■	■	■	■	■	■	■	■	■
Crystal AB F (001 AB)	■	■	■	■	■	■	■	■	■	■	■	■	■	■
Crystal Copper F (001 COP)	■	■	■	■	■	■	■	■	■	■	■	■	■	■
Crystal Cosmojet F (001 COS)	■	■	■	■	■	■	■	■	■	■	■	■	■	■
Crystal Dorado F (001 DOR)	■	■	■	■	■	■	■	■	■	■	■	■	■	■
Crystal Golden Shadow F (001 GSHA)	■	■	■	■	■	■	■	■	■	■	■	■	■	■
Crystal Meridian Blue F (001 MBL)	■	■	■	■	■	■	■	■	■	■	■	■	■	■
Crystal Metallic Blue F (001 METBL)	■	■	■	■	■	■	■	■	■	■	■	■	■	■
Crystal Metallic Light Gold F (001 MLGLD)	■	■	■	■	■	■	■	■	■	■	■	■	■	■
Crystal Moonlight F (001 MOL)	■	■	■	■	■	■	■	■	■	■	■	■	■	■
Crystal Red Magma F (001 REDM)	■	■	■	■	■	■	■	■	■	■	■	■	■	■
Crystal Sage F (001 SAG)	■	■	■	■	■	■	■	■	■	■	■	■	■	■
Crystal Silver Shade F (001 SSHA)	■	■	■	■	■	■	■	■	■	■	■	■	■	■
Crystal Tabac F (001 TAB)	■	■	■	■	■	■	■	■	■	■	■	■	■	■
Crystal Volcano F (001 VOL)	■	■	■	■	■	■	■	■	■	■	■	■	■	■
Jet (280)	■	■	■	■	■	■	■	■	■	■	■	■	■	■
Jet F (280)	■	■	■	■	■	■	■	■	■	■	■	■	■	■
Jet Hematite (280 HEM)	■	■	■	■	■	■	■	■	■	■	■	■	■	■
Jet Hematite F (280 HEM)	■	■	■	■	■	■	■	■	■	■	■	■	■	■
Jet Nut F (280 NUT)	■	■	■	■	■	■	■	■	■	■	■	■	■	■
Air Blue Opal F (285)	■	■	■	■	■	■	■	■	■	■	■	■	■	■
Amethyst F (204)	■	■	■	■	■	■	■	■	■	■	■	■	■	■
Aquamarine F (202)	■	■	■	■	■	■	■	■	■	■	■	■	■	■
Aquamarine AB F (202 AB)	■	■	■	■	■	■	■	■	■	■	■	■	■	■
Black Diamond F (215)	■	■	■	■	■	■	■	■	■	■	■	■	■	■
Blue Zircon F (229)	■	■	■	■	■	■	■	■	■	■	■	■	■	■
Burgundy F (515)	■	■	■	■	■	■	■	■	■	■	■	■	■	■
Capri Blue F (243)	■	■	■	■	■	■	■	■	■	■	■	■	■	■
Caribbean Blue Opal F (394)	■	■	■	■	■	■	■	■	■	■	■	■	■	■
Chrysolite F (238)	■	■	■	■	■	■	■	■	■	■	■	■	■	■
Citrine F (249)	■	■	■	■	■	■	■	■	■	■	■	■	■	■
Cobalt F (369)	■	■	■	■	■	■	■	■	■	■	■	■	■	■
Cyclamen Opal F (398)	■	■	■	■	■	■	■	■	■	■	■	■	■	■
Dark Indigo F (288)	■	■	■	■	■	■	■	■	■	■	■	■	■	■
Dark Siam F (308)	■	■	■	■	■	■	■	■	■	■	■	■	■	■
Emerald F (205)	■	■	■	■	■	■	■	■	■	■	■	■	■	■
Erinite F (360)	■	■	■	■	■	■	■	■	■	■	■	■	■	■
Fern Green F (291)	■	■	■	■	■	■	■	■	■	■	■	■	■	■
Fireopal F (237)	■	■	■	■	■	■	■	■	■	■	■	■	■	■
Fuchsia F (502)	■	■	■	■	■	■	■	■	■	■	■	■	■	■
Greige F (284)	■	■	■	■	■	■	■	■	■	■	■	■	■	■

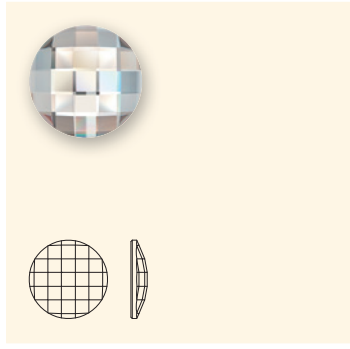
Flat Backs No Hotfix

Flat Backs No Hotfix
04

2028		Size	SS 5	SS 6	SS 7	SS 8	SS 9	SS 10	SS 12	SS 14	SS 16	SS 20	SS 30	SS 34	SS 40	SS 48
Colour																
Hyacinth F (236)			■	■	■		■	■	■		■	■	■	■		
Indian Pink F (289)	New!		■	■			■	■	■		■	■			■	
Indian Siam F (327)			■	■			■	■	■		■	■				
Jonquil F (213)	New!		■	■	■		■	■	■		■	■	■	■		
Jonquil AB F (213 AB)			■	■			■	■	■		■	■	■			
Khaki F (550)			■	■			■	■	■		■	■			■	
Light Amethyst F (212)			■	■	■		■	■	■		■	■	■	■		
Light Colorado Topaz F (246)			■	■	■	■	■	■	■	■	■	■	■	■		
Light Grey Opal F (383)			■	■	■		■	■	■		■	■	■	■		
Light Peach F (362)			■	■	■		■	■	■		■	■	■	■		
Light Rose F (223)			■	■	■		■	■	■		■	■	■	■		
Light Rose AB F (223 AB)			■	■	■		■	■	■		■	■	■	■	New!	
Light Sapphire F (211)			■	■	■		■	■	■		■	■	■	■		
Light Siam F (227)			■	■	■	■	■	■	■	■	■	■	■	■		
Light Siam AB F (227 AB)			■	■	■		■	■	■		■	■	■	■	New!	
Light Topaz F (226)			■	■			■	■	■		■	■			■	
Mocca F (286)			■	■	■		■	■	■		■	■	■	■		
Montana F (207)			■	■	■		■	■	■		■	■	■	■		
Olivine F (228)			■	■	■		■	■	■		■	■	■	■		
Pacific Opal F (390)			■	■	■		■	■	■		■	■	■	■		
Padparadscha F (542)			■	■	■		■	■	■		■	■	■	■		
Palace Green Opal F (393)			■	■	■		■	■	■		■	■	■	■		
Peridot F (214)			■	■	■		■	■	■		■	■	■	■		
Peridot AB F (214 AB)			■	■	■		■	■	■		■	■	■	■	New!	
Provence Lavender F (283)			■	■	■		■	■	■		■	■	■	■		
Purple Velvet F (277)			■	■	■		■	■	■		■	■	■	■		
Rose F (209)			■	■	■		■	■	■		■	■	■	■		
Rose AB F (209 AB)			■	■	■		■	■	■		■	■	■	■	New!	
Ruby F (501)			■	■	■		■	■	■		■	■	■	■		
Sand Opal F (287)			■	■	■		■	■	■		■	■	■	■		
Sapphire F (206)			■	■	■		■	■	■		■	■	■	■		
Sapphire AB F (206 AB)			■	■	■		■	■	■		■	■	■	■	New!	
Siam F (208)			■	■	■		■	■	■		■	■	■	■		
Silk F (391)			■	■	■		■	■	■		■	■	■	■		
Smoked Topaz F (220)			■	■	■		■	■	■		■	■	■	■		
Sun F (248)			■	■	■		■	■	■		■	■	■	■		
Tanzanite F (539)			■	■	■		■	■	■		■	■	■	■		
Topaz F (203)			■	■	■		■	■	■		■	■	■	■		
Topaz AB F (203 AB)			■	■	■		■	■	■		■	■	■	■	New!	
Vintage Rose F (319)			■	■	■		■	■	■		■	■	■	■		
White Opal F (234)			■	■	■		■	■	■		■	■	■	■		

Flat Backs No Hotfix

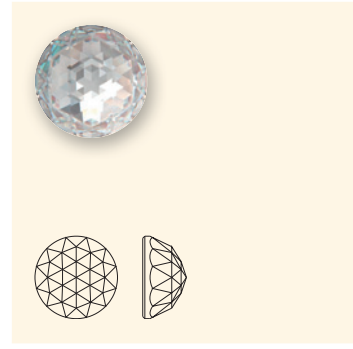
2035 Chessboard Circle



Size	6 mm	10 mm	14 mm	20 mm	30 mm	40 mm
Crystal F (001)	■	■	■	■	■	■
Crystal AB F (001 AB)	■	■	■			
Crystal CAL V SI (001 CAL V SI) ¹⁾				■	■	■
Crystal CAL SI (001 CAL SI) ¹⁾⁺²⁾				■	■	■
Crystal Dorado F (001 DOR)	■	■	■	■	■	■
Crystal Golden Shadow F (001 GSHA)	■	■	■	■	■	■
Crystal Red Magma F (001 REDM)	■	■	■	■	■	■
Crystal Silver Shade F (001 SSHA)	■	■	■	■	■	■
Jet (280)	■	■	■	■	■	■
Aquamarine F (202)	■	■	■	■	■	■
Black Diamond F (215)	■	■	■	■	■	■
Peridot F (214)	■	■	■	■	■	■
Topaz F (203)	■	■	■	■	■	■

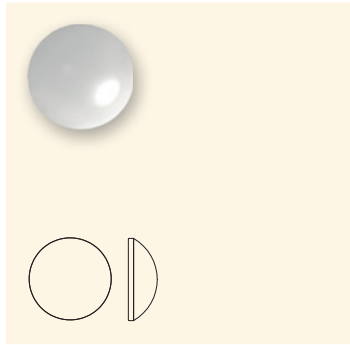
New!

2072 Rose Cut



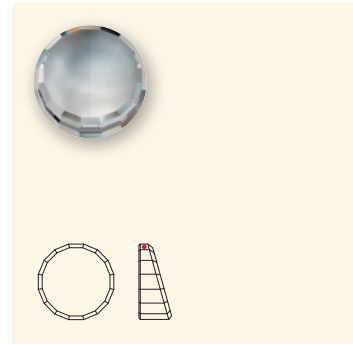
Size	8 mm	10 mm	12 mm
Crystal F (001)	■	■	■
Jet (280)	■	■	■
Smoked Topaz F (220)	■	■	■

2080/4 Cabochon Round



Size	SS 10	SS 16	SS 34
Crystal F (001)	■	■	■
Crystal AB F (001 AB)	■	■	■
Jet (280)	■	■	■

2085 Stage ¹⁾ *New!*



Size	40 mm
Crystal F (001)	■
Crystal CAL V SI (001 CAL V SI)	■

¹⁾ Integrated articles of the former Bath & Wellness Collection may be partly delivered with a laser-engraved logo.
 • The logo position is marked with a red dot.
²⁾ Coated on faceted side.

Flat Backs No Hotfix

04 Flat Backs No Hotfix

2200 Navette Flat Back

Size
8x4 mm

Colour
Crystal F (001)

2300 Drop Flat Back

Size
8x4.8 mm
10x6 mm

Colour
Crystal F (001)

2400 Square Flat Back

Size
3 mm
4 mm
6 mm

Colour
Crystal F (001)

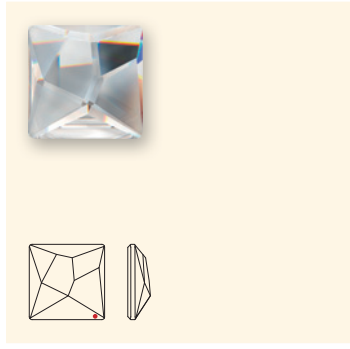
2415 Crystal Marcasite

Size
3 mm
4 mm

Colour
Jet Metallic Silver (280 METSI)
Jet Nut (280 NUT)

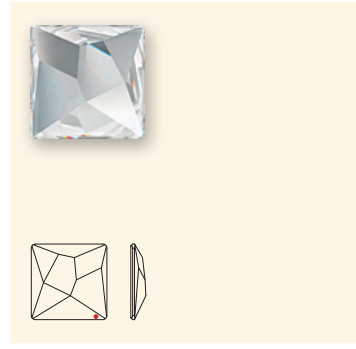
Flat Backs No Hotfix

2420 Asymmetric Square ^{1) New!}



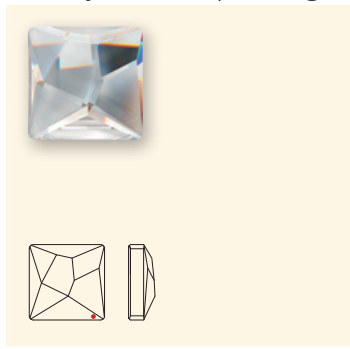
Size	10 mm	25 mm	40 mm
Crystal F (001)	■	■	■
Crystal Bermuda Blue F (001 BBL)	■	■	■
Crystal CAL V SI (001 CAL V SI)	■	■	■
Crystal CAL SI (001 CAL SI) ²⁾	■	■	■
Crystal Golden Shadow F (001 GSHA)	■	■	■
Crystal Red Magma F (001 REDM)	■	■	■
Crystal Sage F (001 SAG)	■	■	■
Crystal Sahara F (001 SAH)	■	■	■
Crystal Silver Shade F (001 SSHA)	■	■	■
Jet (280)	■	■	■

2421 Asymmetric Square for mosaic tiles ^{1)+2)+3) New!}



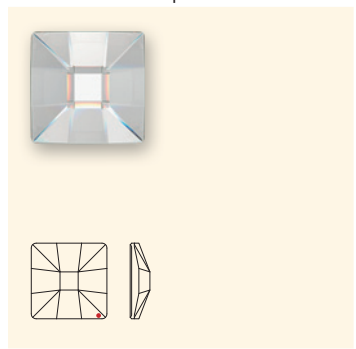
Size	20 mm
Crystal Bermuda Blue V Prolay (001 BBL V)	■
Crystal CAL SI Prolay (001 CAL SI)	■
Crystal Sage V Prolay (001 SAG V)	■
Crystal Sahara V Prolay (001 SAH V)	■

2422 Asymmetric Square (high) for mosaic tiles ^{1)+3) New!}



Size	20 mm
Crystal Bermuda Blue Prolay (001 BBL)	■
Crystal CAL V SI Prolay (001 CAL V SI)	■
Crystal Sage Prolay (001 SAG)	■
Crystal Sahara Prolay (001 SAH)	■
Jet (280)	■

2483 Classic Square ^{New!}



Size	10 mm	25 mm	40 mm
Crystal F (001)	■	■	■
Crystal CAL V SI (001 CAL V SI) ¹⁾	■	■	■
Crystal CAL SI (001 CAL SI) ¹⁾⁺²⁾	■	■	■
Crystal Golden Shadow F (001 GSHA)	■	■	■
Crystal Silver Shade F (001 SSHA)	■	■	■
Jet (280)	■	■	■
Aquamarine F (202)	■	■	■
Black Diamond F (215)	■	■	■
Peridot F (214)	■	■	■
Topaz F (203)	■	■	■

¹⁾ Integrated articles of the former Bath & Wellness Collection may be partly delivered with a laser-engraved logo.

• The logo position is marked with a red dot.

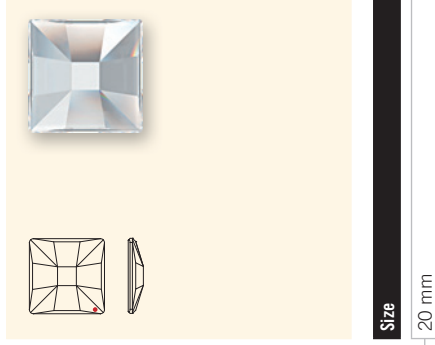
²⁾ Coated on faceted side.

³⁾ Articles customised in size and height for usage in mosaic tiles with protective layer.

Flat Backs No Hotfix

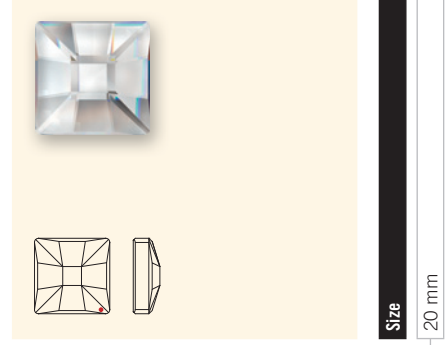
04 Flat Backs No Hotfix

2484 Classic Square for mosaic tiles ¹⁾⁺²⁾⁺³⁾ *New!*



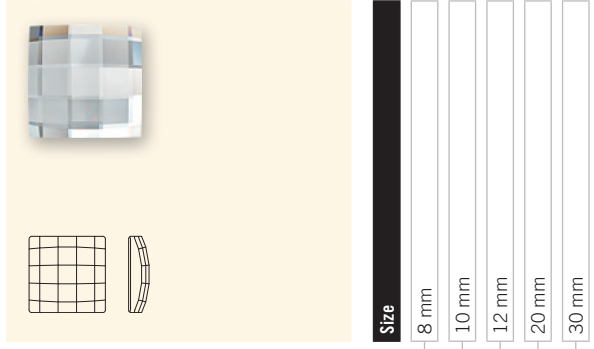
- Colour**
- Crystal Bermuda Blue V Prolay (001 BBL V)
 - Crystal CAL SI Prolay (001 CAL SI)
 - Crystal Sage V Prolay (001 SAG V)
 - Crystal Sahara V Prolay (001 SAH V)

2485 Classic Square (high) for mosaic tiles ¹⁾⁺³⁾ *New!*



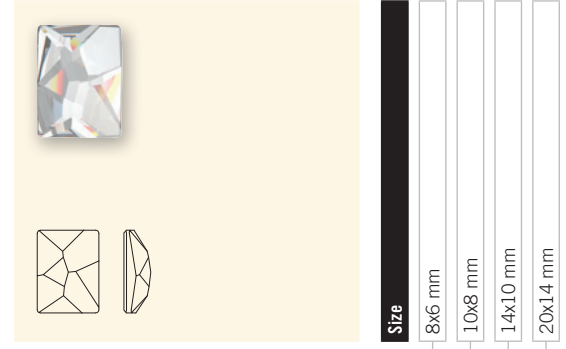
- Colour**
- Crystal Bermuda Blue Prolay (001 BBL V)
 - Crystal CAL V SI Prolay (001 CAL SI)
 - Crystal Sage Prolay (001 SAG V)
 - Crystal Sahara Prolay (001 SAH V)
 - Jet (280)

2493 Chessboard Flat Back



- Colour**
- Crystal F (001)
 - Crystal AB F (001 AB)
 - Crystal Copper F (001 COP)
 - Crystal Golden Shadow F (001 GSHA)
 - Crystal Silver Shade F (001 SSHA)
 - Jet F (280)
 - Aquamarine F (202)
 - Black Diamond F (215)
 - Light Rose F (223)
 - Light Siam F (227)

2520 Cosmic Flat Back

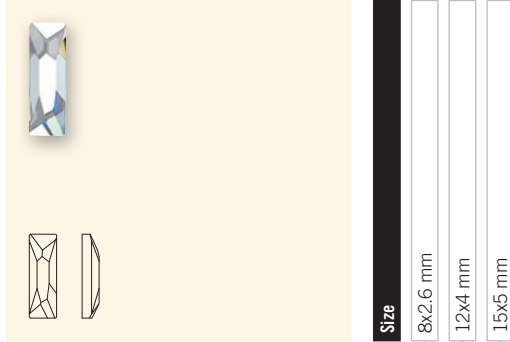


- Colour**
- Crystal F (001)
 - Crystal AB F (001 AB)
 - Crystal Copper F (001 COP)
 - Crystal Golden Shadow F (001 GSHA)
 - Crystal Silver Shade F (001 SSHA)
 - Jet (280)
 - Aquamarine F (202)
 - Light Rose F (223)
 - Light Siam F (227)

¹⁾ Integrated articles of the former Bath & Wellness Collection may be partly delivered with a laser-engraved logo.
 • The logo position is marked with a red dot.
²⁾ Coated on faceted side.
³⁾ Articles customised in size and height for usage in mosaic tiles with protective layer.

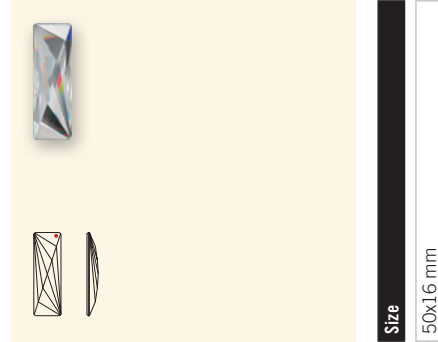
Flat Backs No Hotfix

2555 Cosmic Baguette Flat Back



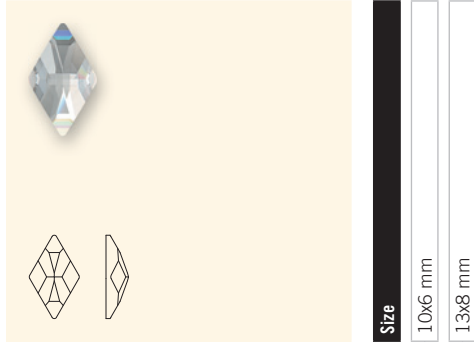
Colour		Size
	Crystal F (001)	8x2.6 mm
	Crystal AB F (001 AB)	12x4 mm
	Crystal Copper F (001 COP)	15x5 mm
	Crystal Golden Shadow F (001 GSHA)	
	Crystal Silver Shade F (001 SSHA)	
	Jet (280)	
	Aquamarine F (202)	
	Light Rose F (223)	
	Light Siam F (227)	

2570 Vigour Recangle ¹⁾ New!



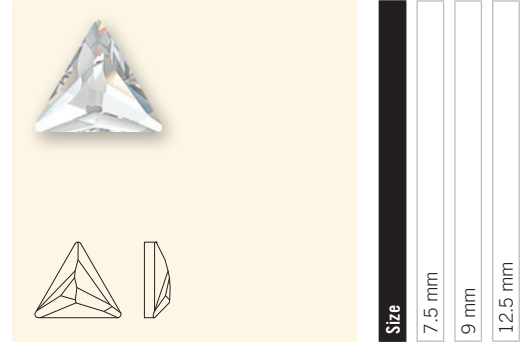
Colour		Size
	Crystal F (001)	50x16 mm
	Crystal CAL V SI (001 CAL V SI) ²⁾	
	Crystal CAL SI (001 CAL SI)	
	Crystal Sage F (001 SAG)	
	Jet (280)	

2709 Rhombus Flat Back



Colour		Size
	Crystal F (001)	10x6 mm
	Crystal AB F (001 AB)	13x8 mm
	Crystal Golden Shadow F (001 GSHA)	
	Crystal Silver Shade F (001 SSHA)	
	Jet F (280)	
	Aquamarine F (202)	
	Black Diamond F (215)	
	Light Rose F (223)	
	Light Siam F (227)	

2720 Cosmic Delta Flat Back



Colour		Size
	Crystal F (001)	7.5 mm
	Crystal AB F (001 AB)	9 mm
	Crystal Copper F (001 COP)	12.5 mm
	Crystal Golden Shadow F (001 GSHA)	
	Crystal Silver Shade F (001 SSHA)	
	Jet F (280)	
	Aquamarine F (202)	
	Light Rose F (223)	
	Light Siam F (227)	
	Smoked Topaz F (220)	

¹⁾ Integrated articles of the former Bath & Wellness Collection may be partly delivered with a laser-engraved logo.

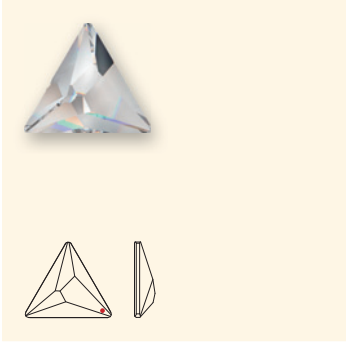
• The logo position is marked with a red dot.

²⁾ Coated on faceted side.

Flat Backs No Hotfix

04 Flat Backs No Hotfix

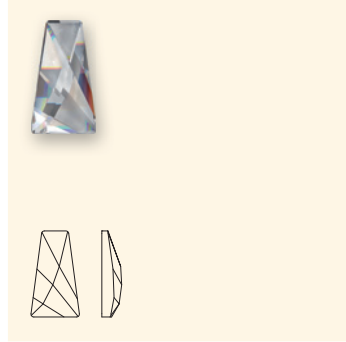
2721 Asymmetric Triangle ¹⁾ *New!*



Size
10 mm
25 mm

Colour
Crystal F (001)
Crystal Bermuda Blue F (001 BBL)
Crystal CAL V SI (001 CAL V SI)
Crystal CAL SI (001 CAL SI) ²⁾
Crystal Golden Shadow F (001 GSHA)
Crystal Red Magma F (001 REDM)
Crystal Sage F (001 SAG)
Crystal Sahara F (001 SAH)
Crystal Silver Shade F (001 SSHA)
Jet (280)

2770 Wing Flat Back



Size
6x3.5 mm
12x7 mm
16x9.5 mm

Colour
Crystal F (001)
Crystal AB F (001 AB)
Crystal Copper F (001 COP)
Crystal Golden Shadow F (001 GSHA)
Crystal Silver Shade F (001 SSHA)
Jet (280)
Aquamarine F (202)
Black Diamond F (215)
Light Amethyst F (212)
Light Rose F (223)
Light Siam F (227)
Light Topaz F (226)
Provence Lavender F (283)
Smoked Topaz F (220)

¹⁾ Integrated articles of the former Bath & Wellness Collection may be partly delivered with a laser-engraved logo.
 • The logo position is marked with a red dot.

²⁾ Coated on faceted side.

Flat Backs No Hotfix

2797 Diamond Leaf Flat Back



Colour		8x4 mm	10x5 mm
Crystal F (001)	<input type="checkbox"/>	<input type="checkbox"/>	
Crystal AB F (001 AB)	<input type="checkbox"/>	<input type="checkbox"/>	
Crystal Copper F (001 COP)	<input type="checkbox"/>	<input type="checkbox"/>	
Crystal Golden Shadow F (001 GSHA)	<input type="checkbox"/>	<input type="checkbox"/>	
Crystal Silver Shade F (001 SSHA)	<input type="checkbox"/>	<input type="checkbox"/>	
Jet (280)	<input type="checkbox"/>	<input type="checkbox"/>	
Jet Nut (280 NUT)	<input type="checkbox"/>	<input type="checkbox"/>	
Aquamarine F (202)	<input type="checkbox"/>	<input type="checkbox"/>	
Light Amethyst F (212)	<input type="checkbox"/>	<input type="checkbox"/>	
Light Rose F (223)	<input type="checkbox"/>	<input type="checkbox"/>	
Light Siam F (227)	<input type="checkbox"/>	<input type="checkbox"/>	
Light Topaz F (226)	<input type="checkbox"/>	<input type="checkbox"/>	
Mocca F (286)	<input type="checkbox"/>	<input type="checkbox"/>	
Olivine F (228)	<input type="checkbox"/>	<input type="checkbox"/>	

Product Details

<<<

Article Size	Packing Unit = Minimum Order Quantity in Pieces	Average Net Weight in Gram per Packing Unit Crystal (001)	Average Gross Weight in Gram per Packing Unit Crystal (001)
2000			
SS 3	1,440	1.8	12.7
SS 4	1,440	3.3	13.7
2006			
10 mm	288	89.9	116.4
12 mm	144	87.2	110.9
14 mm	144	132.4	158.7
16 mm	144	188.6	222.4
2028			
SS 5	1,440	4.5	15.0
SS 6	1,440	5.5	17.6
SS 7	1,440	6.7	17.4
SS 8	1,440	8.6	19.9
SS 9	1,440	13.3	24.8
SS 10	1,440	15.0	24.4
SS 12	1,440	19.9	30.7
SS 14	1,440	28.9	40.4
SS 16	1,440	39.4	49.9
SS 20	1,440	70.8	81.3
SS 30	360	47.7	56.2
SS 34	144	23.7	34.6
SS 40	144	44.3	55.2
SS 48	72	41.6	52.7
2035			
6 mm	360	27.1	34.8
10 mm	192	56.2	88.0
14 mm	96	88.4	109.0
20 mm	40	82.0	121.4
30 mm	12	95.4	130.8
40 mm	6	105.3	140.3
2072			
8 mm	288	92.9	119.6
10 mm	144	90.6	111.0
12 mm	72	82.0	100.1
2080/4			
SS 10	1,440	17.1	28.3
SS 16	1,440	43.4	55.0
SS 34	144	23.2	34.1
2085			
40 mm	6	237.1	272.1
2200			
8x4 mm	720	49.6	60.2
2300			
8x4.8 mm	720	83.9	94.5
10x6 mm	360	56.9	67.8
2400			
3 mm	1,440	25.3	36.8
4 mm	720	30.0	41.0
6 mm	144	21.6	32.5
2415			
3 mm	1,440	32.9	44.0
4 mm	1,440	60.5	71.7

Flat Backs No Hotfix

Article Size	Packing Unit = Minimum Order Quantity in Pieces	Average Net Weight in Gram per Packing Unit Crystal (001)	Average Gross Weight in Gram per Packing Unit Crystal (001)
2420			
10 mm	144	91.6	118.2
25 mm	32	200.8	251.8
40 mm	6	161.3	196.3
2421			
20 mm	40	101.7	140.5
2422			
20 mm	40	230.6	270.7
2483			
10 mm	144	90.3	120.2
25 mm	32	233.3	261.5
40 mm	6	167.4	202.4
2484			
20 mm	40	111.9	150.7
2485			
20 mm	40	240.8	280.8
2493			
8 mm	216	72.3	91.8
10 mm	144	84.4	106.1
12 mm	96	96.4	127.8
20 mm	24	108.5	137.9
30 mm	6	92.4	123.2
2520			
8x6 mm	288	50.8	80.2
10x8 mm	144	72.3	90.4
14x10 mm	144	119.3	140.8
20x14 mm	48	128.6	159.4
2555			
8x2.6 mm	240	18.4	27.5
12x4 mm	288	57.6	68.8
15x5 mm	72	28.9	46.0
2570			
50x16 mm	6	52.9	81.6
2709			
10x6 mm	288	48.2	73.6
13x8 mm	144	41.0	60.1
2720			
7.5 mm	240	27.9	37.0
9 mm	180	45.1	54.2
12.5 mm	144	71.1	87.1
2721			
10 mm	144	42.7	69.4
25 mm	32	97.7	148.7
2770			
6x3.5 mm	1,440	60.3	70.3
12x7 mm	192	49.8	98.4
16x9.5 mm	72	48.8	77.7
2797			
8x4 mm	240	14.9	24.0
10x15 mm	180	23.4	32.6